

# To you, it's just one roof. Why cover it with two guarantees?



Does your commercial property include both a large flat roof section and a smaller steep section with shingles? Some manufacturers might treat that like two roofs, and make you get a separate guarantee for each.

At GAF, we see it like you do: It's one roof. It deserves one guarantee. Created specifically for commercial properties with more flat roof area than shingled area, the Steep Slope Addendum (SSA) to the GAF Diamond Pledge™ NDL Roof Guarantee\* is the industry's only guarantee that covers it all.

The SSA takes the hassle out of protecting your flat-and-shingle commercial roof:

- One manufacturer
- One guarantee
- One contractor
- One point of contact when you're looking for help

\* See the GAF Diamond Pledge™ NDL Roof Guarantee and Steep Slope Addendum at [gaf.com/warranty](http://gaf.com/warranty) for complete coverage and restrictions.



We protect what matters most™



# The Steep Slope Addendum (SSA) to the GAF Diamond Pledge™ NDL Roof Guarantee\*



One guarantee that covers it all

## More protection. Less hassle.

Time and weather will take their toll on any roof. If a leak happens to yours, the last thing you'll want to do is spend precious time figuring out which guarantee covers the repair. When a GAF Master Select™, Master, or Premium Coating Systems Contractor installs both the low-slope and steep-slope shingled area of your roof, you may be eligible for the Steep Slope Addendum to the GAF Diamond Pledge NDL Roof Guarantee.\*

## One point of contact. One source of confidence.

GAF is the only manufacturer to offer a full line of both low-slope and steep-slope roofing products, and offer a single guarantee to cover them both. But that's not all. Our field technicians and sales support personnel are knowledgeable about both steep-slope and low-slope, as well. That means you have a more seamless specification, installation, maintenance, and guarantee experience.

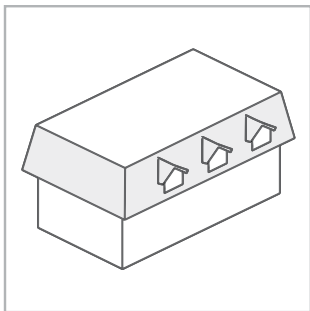
## Contractors trained and certified to install GAF Commercial Roofs.

When you see the GAF Master Select™, Master, or Premium Coating System Contractor badge, you know your contractor has been selected, trained, and entrusted by GAF to offer the GAF Diamond Pledge™ NDL Roof Guarantee and Steep Slope Addendum.

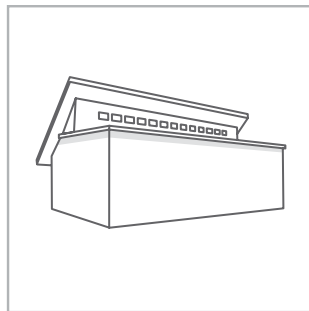
## The SSA means you'll have:

- Comprehensive NDL (No Dollar Limit) coverage against both manufacturing defects and workmanship
- Fixed 20-year NDL coverage on labor and material on steep slope roofing system
- Quality assurance from GAF Field Services, who will inspect the installation of both the low-slope and steep-slope roofing systems

## Choose GAF and the Steep Slope Addendum (SSA) to the GAF Diamond Pledge NDL Roof Guarantee for your:



Mansard



Clerestory



Flat with Gable

\* See the GAF Diamond Pledge™ NDL Roof Guarantee at [gaf.com/guarantees](http://gaf.com/guarantees) for complete coverage and restrictions

